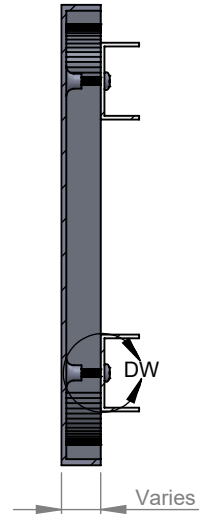


FRONT VIEW II SCALE 1:5

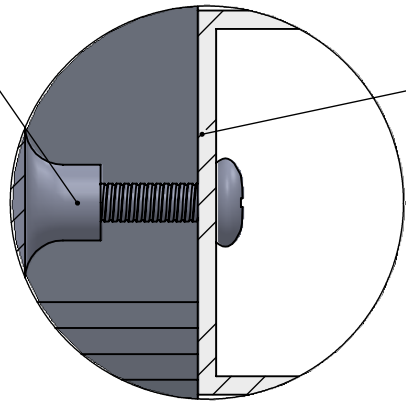
Stud Boss (size varies)

Varies
4" - 24" high



SECTION VIEW A-A II SCALE 1:5

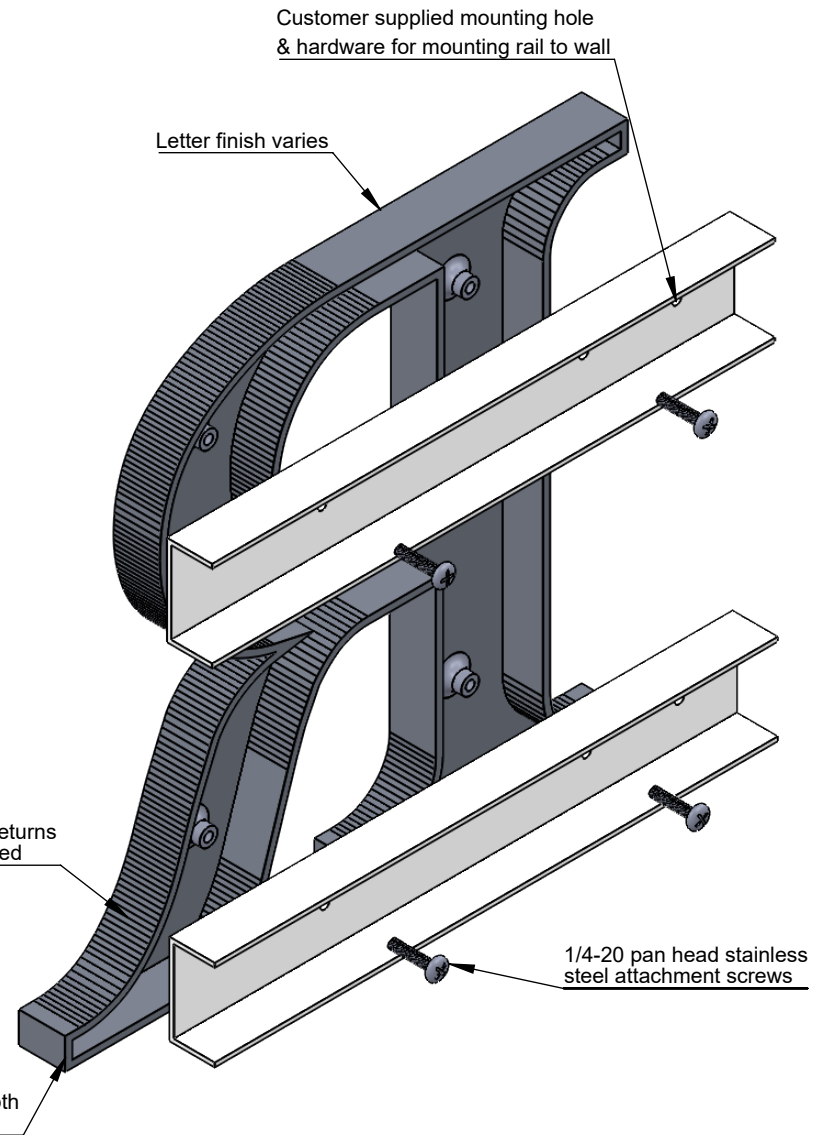
C-shape rail (size varies)
Painted or anodized
6063-T2 extruded-aluminum - 1/8" wall



DETAIL DW II SCALE 1:1

Standard returns
Bead blasted

0 - 7° return draft - thickness/depth
- varies by style and height



ISOMETRIC BACK VIEW II SCALE 1:3

NOTES:

- Letters 4"-24" mounted by word, max. 96" rails
- Standard font styles or customer per vector art. Flat faced/round/prismatic profile options. Typical 3/16" - 1/4" wall thickness on hollow back letters/logos.
- Letters or logos, standard or custom

- C-Channel (rail)

- 1/2" deep x 1" or 1 1/2" wide x 96" long, painted or anodized
- 1" deep x 2" or 3" wide x 96" long, painted or anodized
- Rails pre-assembled for fit, larger letters may ship loose

- Rail Mounting

- C-channel rails are designed to be mounted to load bearing structures, holes and location to be determined by installer (rail mounting hardware not included)



TITLE:

CAST METAL DOUBLE RAIL MOUNT

MATERIAL:

**ALUMINUM OR
BRONZE**

PRODUCT TYPE:

CAST METAL

DWG NO. CAST40

REV 03.23.22

SCALE: AS INDICATED

SHEET 1 OF 1