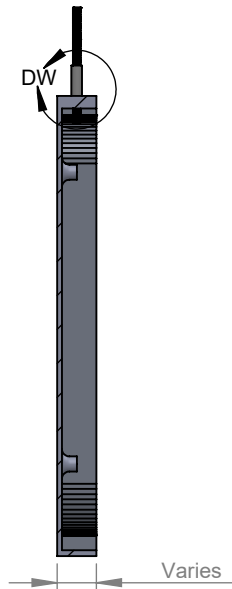
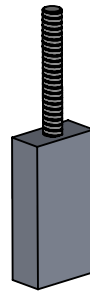


FRONT VIEW II SCALE 1:5



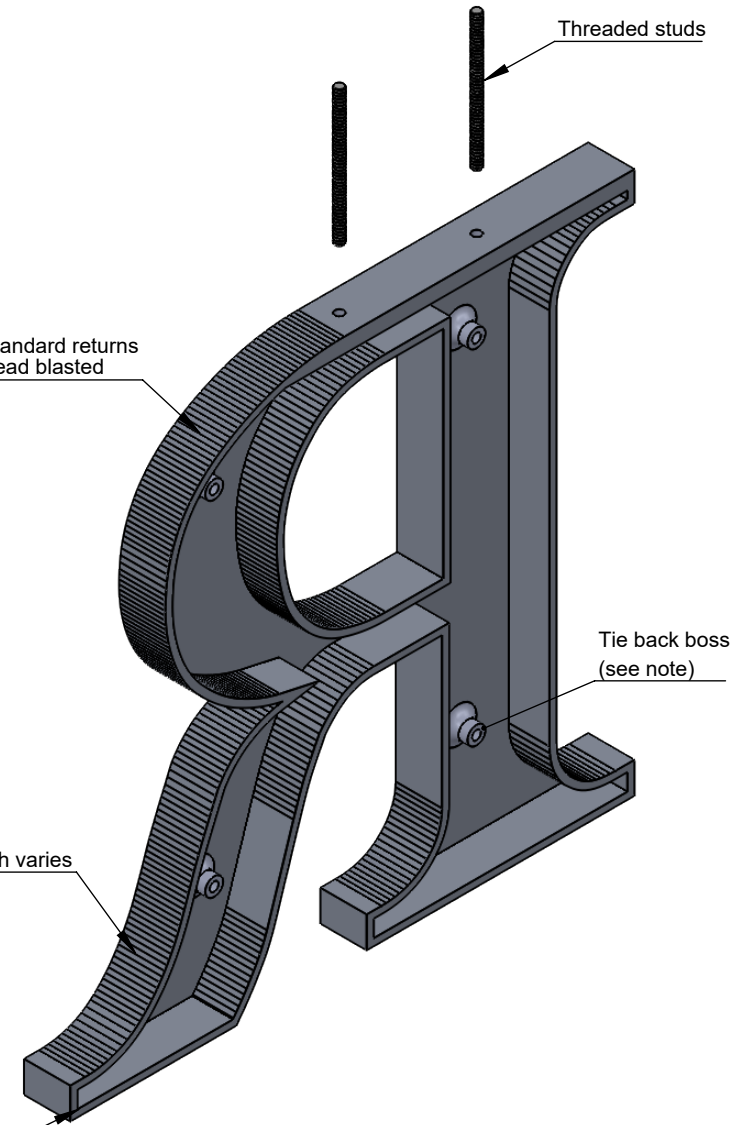
SECTION VIEW A-A II SCALE 1:5

NOTE: Styles with thin strokes or small letters may be cast solid

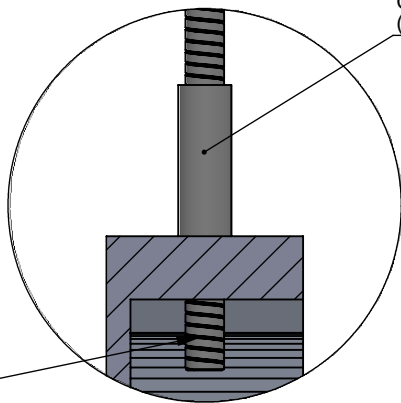


Standard returns  
Bead blasted

Threaded studs



ISOMETRIC BACK VIEW II SCALE 1:3



Optional spacer sleeve  
(Size varies)

Stainless steel stud  
(type and size varies)

DETAIL DW II SCALE 1:1

0 - 7° return draft - thickness/depth  
- varies by style and height

NOTES:

- Letters 4"- 24" Minimum 3/8" thick
- Tie back required (not supplied) on letters >8" high
- Typical stud length 2" beyond top of letter
- Round letters (O, C, G, Q, S) sanded flat on top- optional
- Minimum 2 studs per letter
- 3/8" - 1/2" deep, 4-6" high, 10/24 stainless steel studs
- Over 1/2" deep, or over 6" high, 1/4-20 stainless steel studs
- Standard catalog styles or customer per vector art. Flat faced/round/prismatic profile options. Typical 3/16" - 1/4" wall thickness on hollow back letters/logos.
- Letters or logos, standard or custom



TITLE:

**CAST METAL TOP STUD MOUNT**

MATERIAL:

**ALUMINUM OR  
BRONZE**

PRODUCT TYPE:

**CAST METAL**