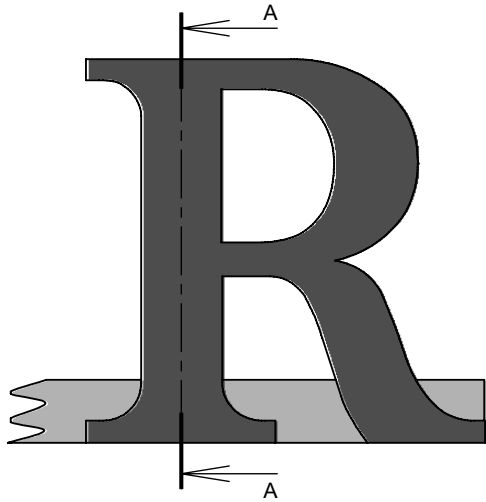
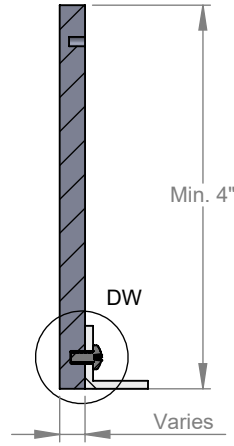


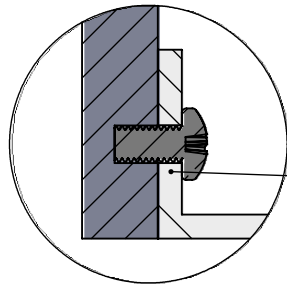
PRODUCT CONSTRUCTION EXAMPLE



FRONT VIEW SCALE 1 : 3



SECTION A-A SCALE 1 : 3

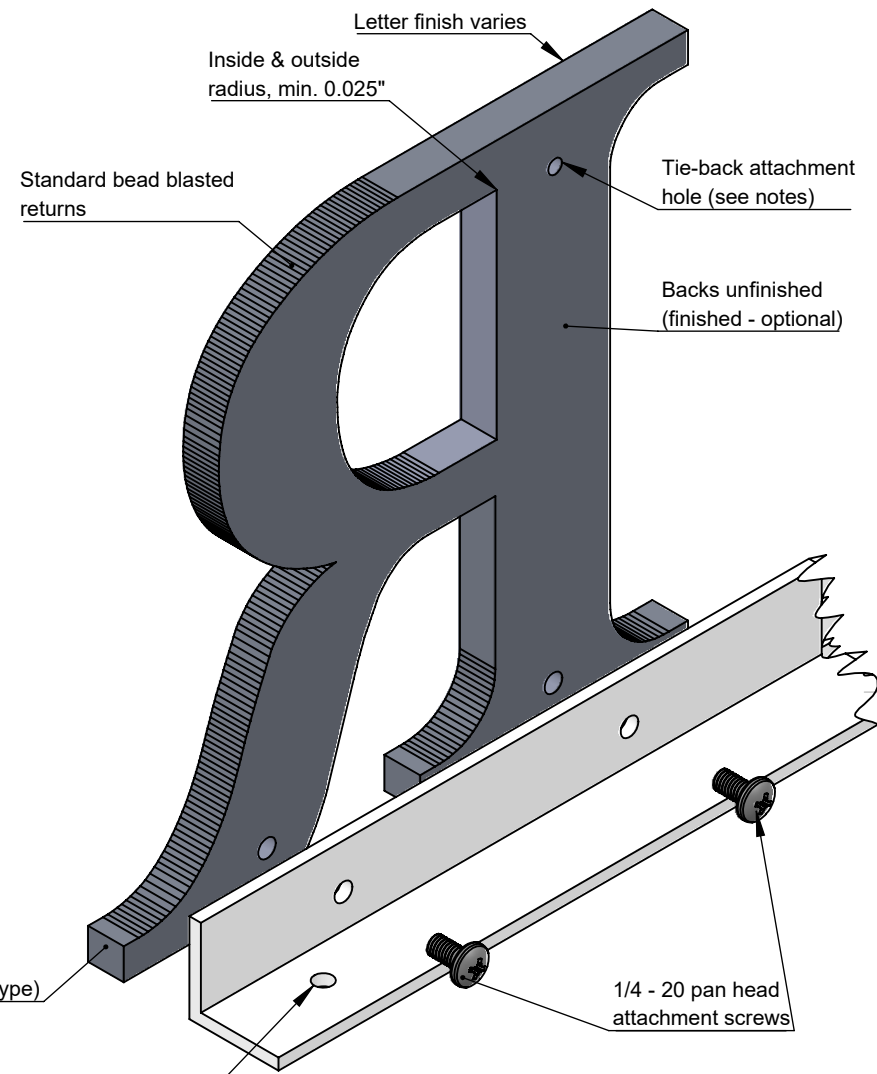


90 degree angle
6063-T2 extruded-aluminum

DETAIL DW II SCALE 1 : 1

NOTES:

- Letters are pre-assembled to rails to ensure fit. Min. 2 screws per letter - Larger letters shipped loose
- Min. 4" - 24" high letters, min. 3/8" thick
- Optional rail lengths, up to 96", typically mounted by word
- Round letter bottoms - sanded flat- optional
- Multiple face finish options
- Rail finish: painted standard or custom color
- Min. 1/2" stroke letters
- Tie-backs recommended on letters over 12" high (not supplied)
- Optional angle bracket sizes: 2" x 2" x 1/4", 1 1/2" x 1 1/2" x 3/16", 1" x 1" x 3/16"
- Metal rails are designed to be mounted to load bearing structures, holes and location to be determined by installer (rail mounting hardware and holes not included)
- Letters or logos, standard or custom



ISOMETRIC BACK VIEW II SCALE 1:1.5

TITLE: FLAT CUT METAL - BOTTOM ANGLE BRACKET MOUNT			
MATERIAL: METAL		PRODUCT TYPE: FLAT CUT METAL	
DWG NO. FTMT80	REV 3.23.22	SCALE: AS INDICATED	SHEET 1 OF 1