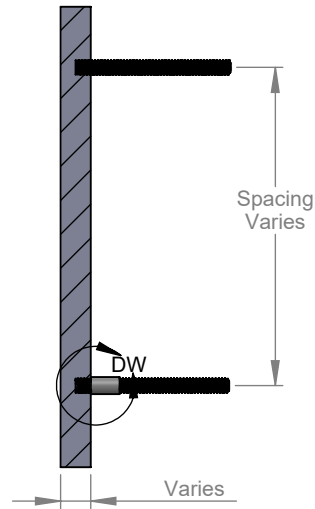
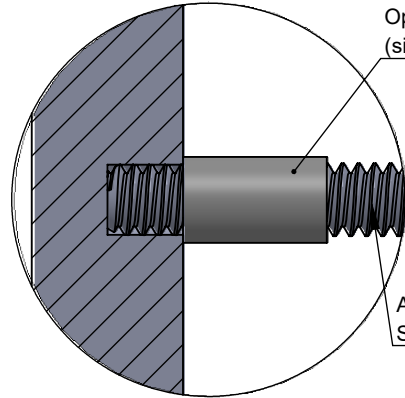


FRONT VIEW II SCALE 1:2.5



SECTION VIEW A-A II SCALE 1:2.5

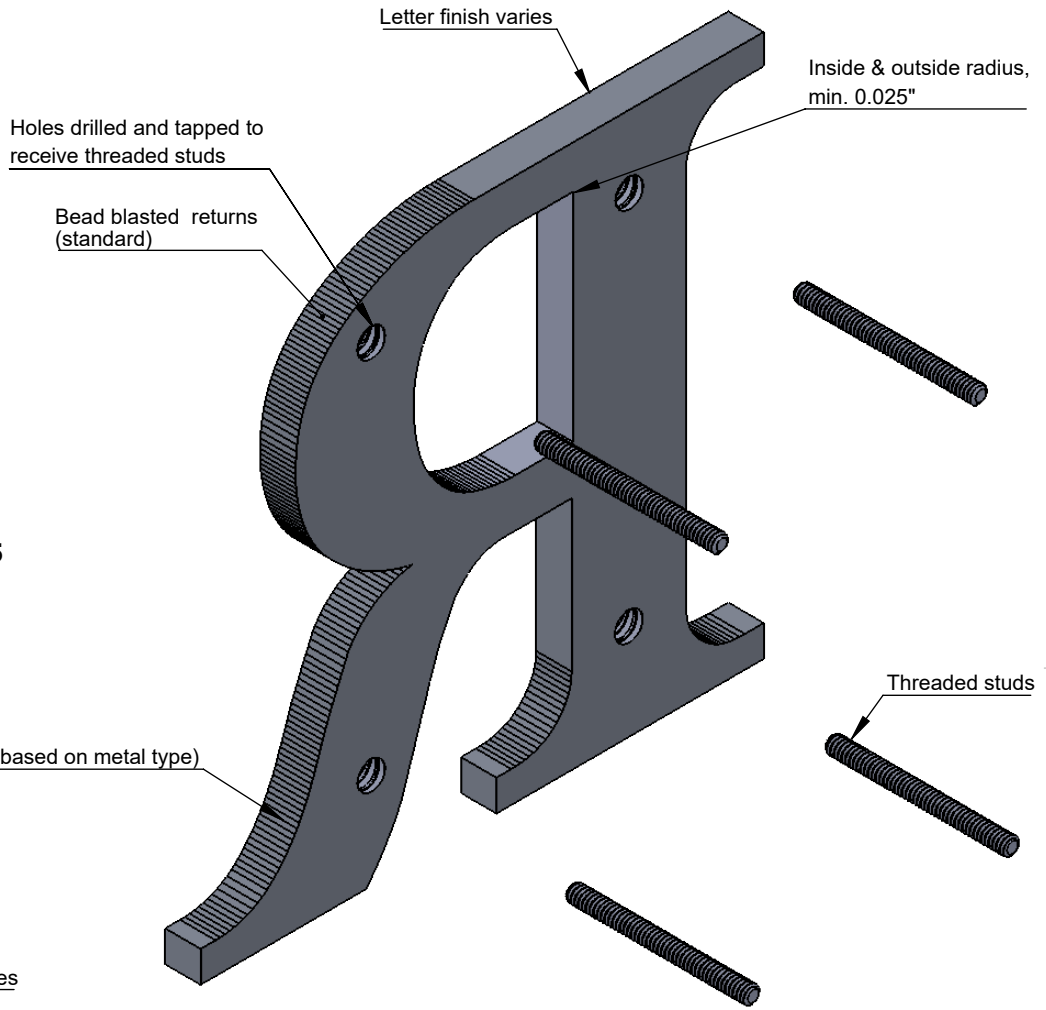


DETAIL DW II SCALE 2:1

Optional spacer sleeve
(size varies)

1/4" - 1" Thick (based on metal type)

Aluminum studs with aluminum letters
Stainless steel studs with other metal types



ISOMETRIC BACK VIEW II SCALE 1:1.5

SIZE	MIN STUDS/LTR
Up to 3"	3 studs
over 3" - 15"	4 studs
Over 15"	6 studs
Punctuation	2 studs

NOTES:

- Typical stud length 2" beyond back of letter
- Letters under 15" high - 10/24 studs, 15"+ high - 1/4-20 studs.
- Less than 3/8" stroke, 6-32 or 4-40 studs
- Minimum 1/4" thick
- Letters or logos, standard or custom



TITLE:			
FLAT CUT METAL - STUD MOUNT			
MATERIAL:		PRODUCT TYPE:	
METAL		FLAT CUT METAL	
DWG NO. FTMT10	REV 3.23.22	SCALE: AS INDICATED	SHEET 1 OF 1