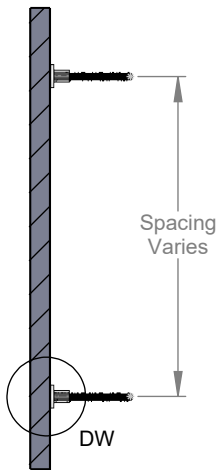
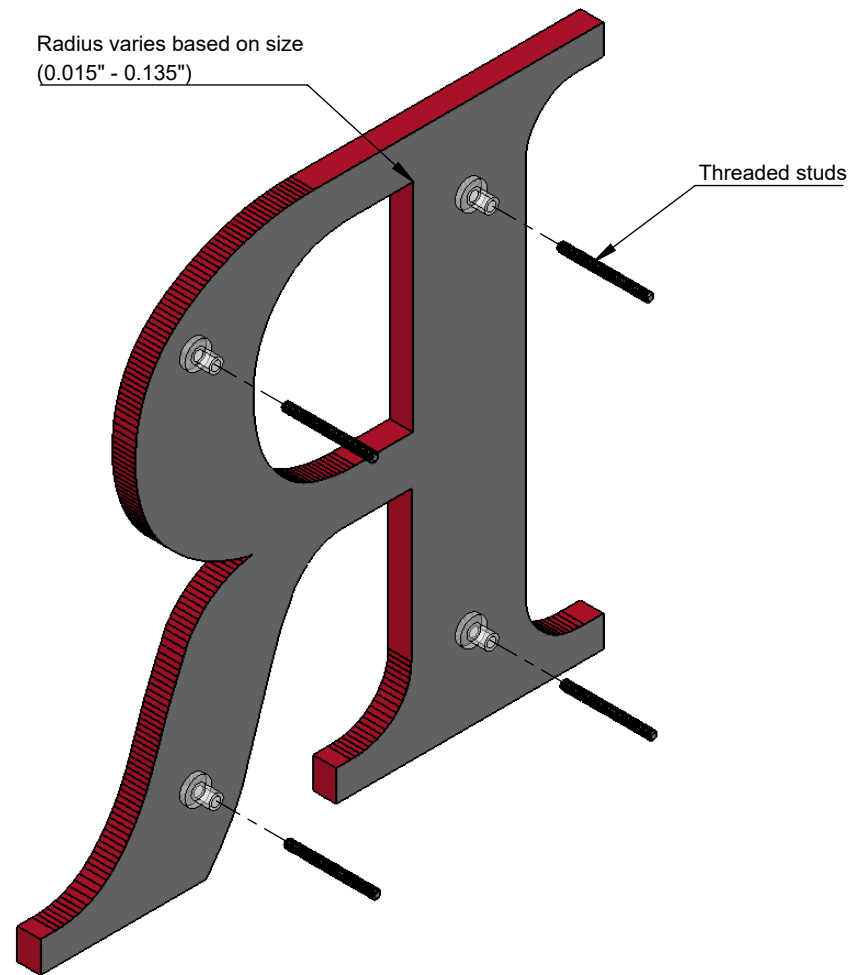


FRONT VIEW II SCALE 1:5

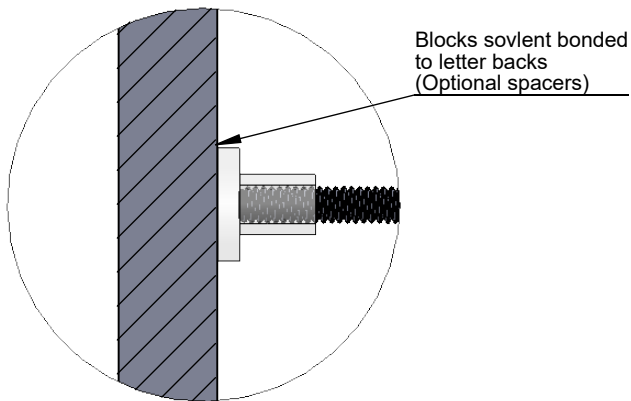


SECTION VIEW A-A II SCALE 1:5

Radius varies based on size
(0.015" - 0.135")



ISOMETRIC BACK VIEW II SCALE 1:3



DETAIL DW II SCALE 1:1

- NOTES:**
- Laser Cut Acrylic
 - Min. .40" stroke
 - Available Gauges: 1/8", 3/16" 1/4", 3/8" and 1/2"
 - Pigmented Acrylic or sprayed with Acrylic Polyurethane Paint
 - Standard Gemini letter styles or per vector art
 - Gemini recommends Flush Stud in gauges 1/4" or thicker



TITLE: FLAT CUT ACRYLIC - STUD MOUNT			
MATERIAL: IMPACT MODIFIED ACRYLIC		PRODUCT TYPE: FLAT CUT ACRYLIC	
DWG NO. LASR10	REV 02/16/2022	SCALE: AS INDICATED	SHEET 1 OF 1