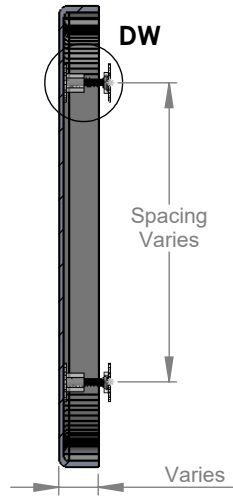
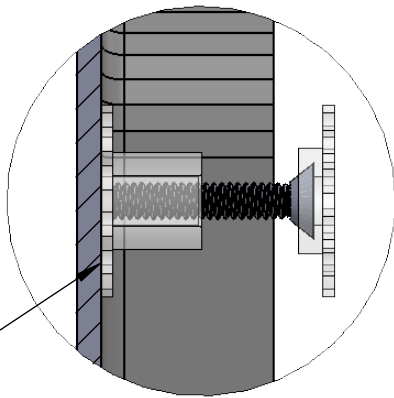


FRONT VIEW II SCALE 1 : 5



SECTION A-A SCALE 1 : 5

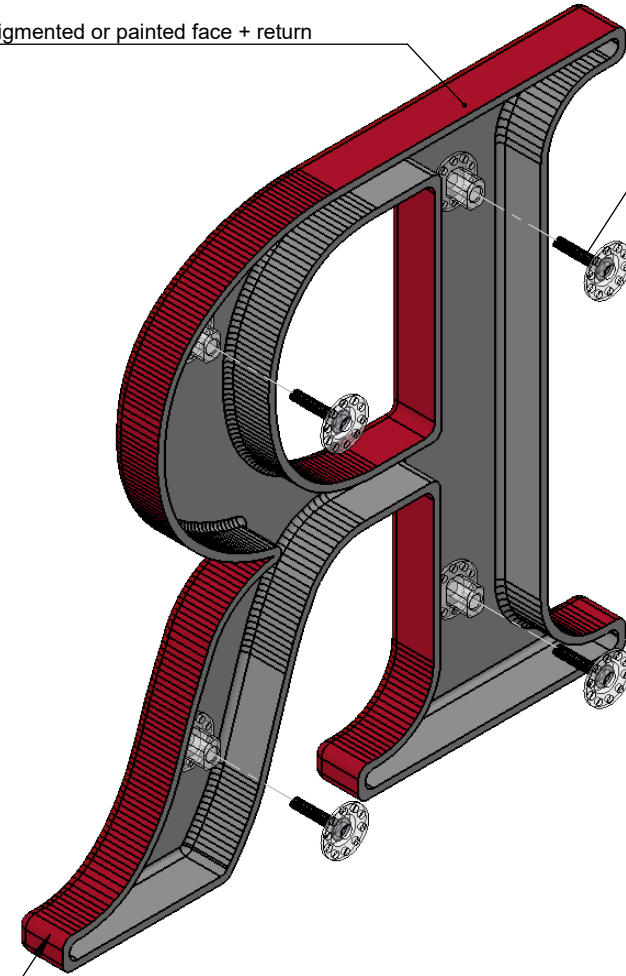


Stud block solvent bonded to letter back

DETAIL DW SCALE 1 : 1

Pigmented or painted face + return

Adjustable pad stud



ISOMETRIC BACK VIEW II SCALE 1 : 3

Slight radius on edges and corners from thermoforming

NOTES:

- Min. .75" stroke
- Depths from 1/4" - 3". Available depth dependent on size of letter/logo.
- Pigmented CAB or sprayed with Acrylic Polyurethane Paint
- Standard Gemini letter styles or per vector art
- Pads with studs allow for slight adjustment for stand-offs
- Available up to 24" high



TITLE:

FORMED PLASTIC - ADJUSTABLE PAD MOUNT

MATERIAL:

CAB - PLASTIC

PRODUCT TYPE:

FORMED PLASTIC

DWG NO. FORM180

REV. 02/07/2022

SCALE: AS INDICATED

SHEET 1 OF 1