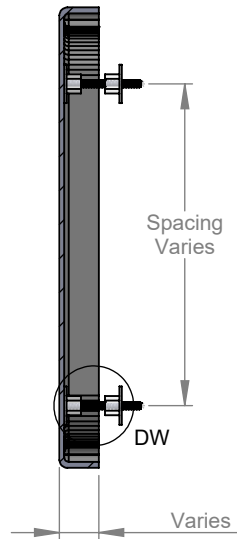
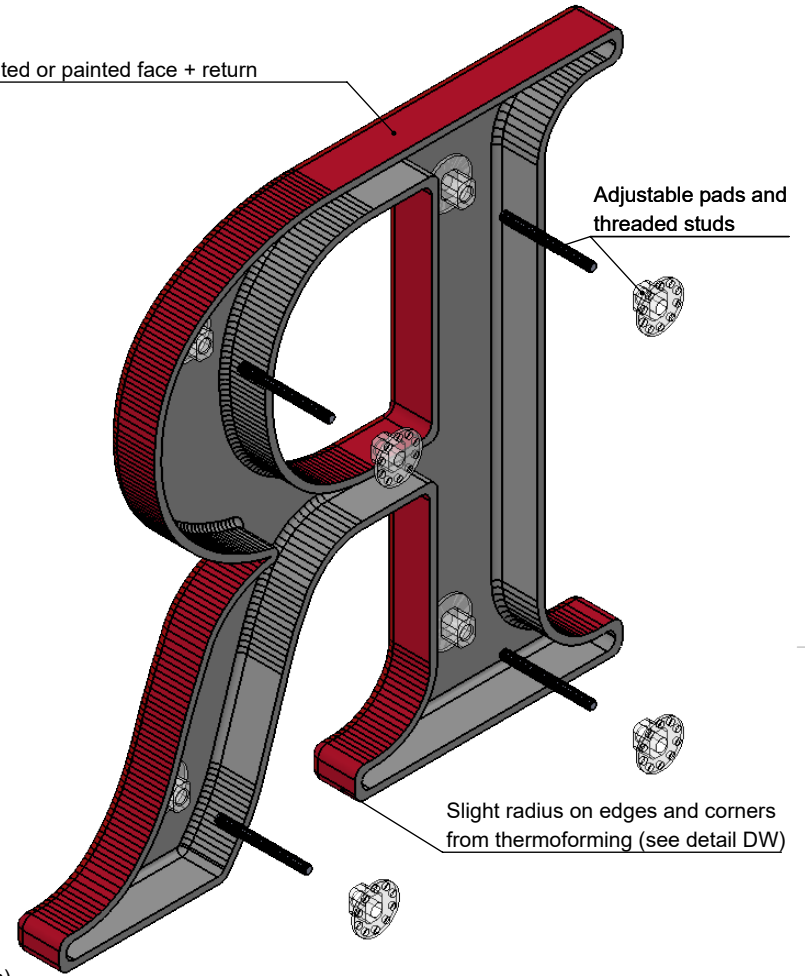


BACK VIEW II SCALE 1:5



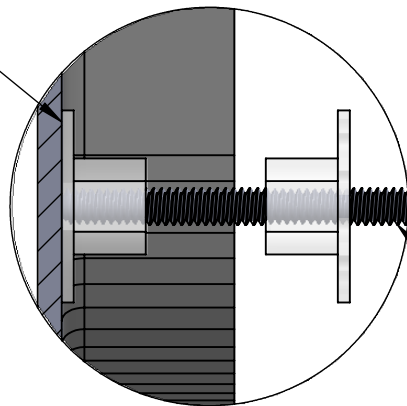
SECTION A-A II SCALE 1:5

Pigmented or painted face + return



ISOMETRIC BACK VIEW II SCALE 1 : 3

Plastic Stud Boss solvent bonded to inside of letter (size varies)



Aluminum 10/24 stud (length varies)

DETAIL DW II SCALE 1 : 1

NOTES:

- Min. .75" stroke and 6" height
- Depths from 1/4" - 3". Available depth dependent on size of letter/logo.
- Pigmented CAB or sprayed with Acrylic Polyurethane Paint
- Standard Gemini letter styles or per vector art
- Studs in line for horizontal rails
- Combination All mount has stud through pads on both top and bottom mounts



TITLE:

FORMED PLASTIC - COMBINATION ALL MOUNT

MATERIAL:

CAB-PLASTIC

PRODUCT TYPE:

FORMED PLASTIC