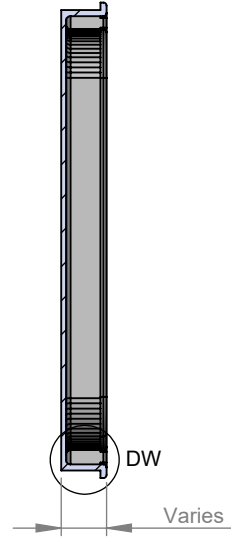
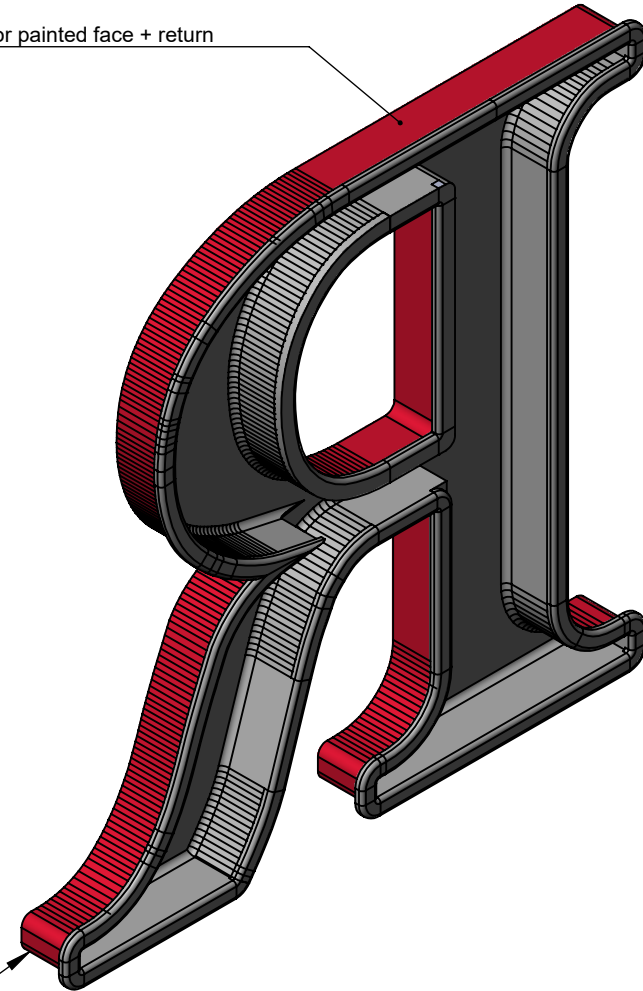


FRONT VIEW II SCALE 1:5

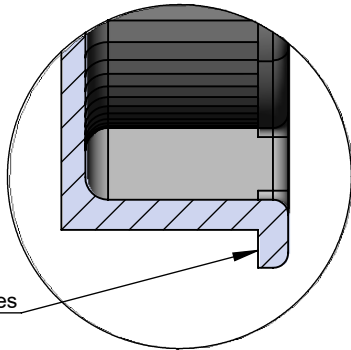


SECTION A-A II SCALE 1:5

Pigmented or painted face + return



ISOMETRIC BACK VIEW II SCALE 1:5



Flange size varies

DETAIL DW II SCALE 1 : 1

Slight radius on edges and corners from thermoforming (see detail DW)

NOTES:

- Standard flange is 3/16" - 1/2" wide
- Depths from 1/4" - 3". Available depth dependent on size of letter/logo.
- Pigmented CAB or sprayed with Acrylic Polyurethane Paint
- Standard Gemini letter styles or per vector art
- Studs in line for horizontal rails
- Installed with glue on flange or drilled to receive mounting screws. Can be combined with alternative mounting method.



TITLE:

FORMED PLASTIC - FLANGE MOUNT

MATERIAL:

CAB-PLASTIC

PRODUCT TYPE:

FORMED PLASTIC