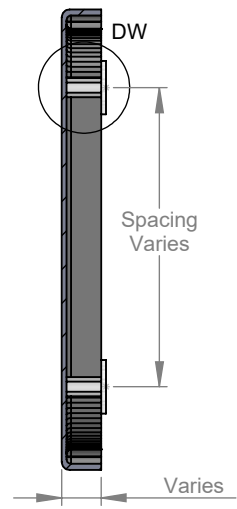
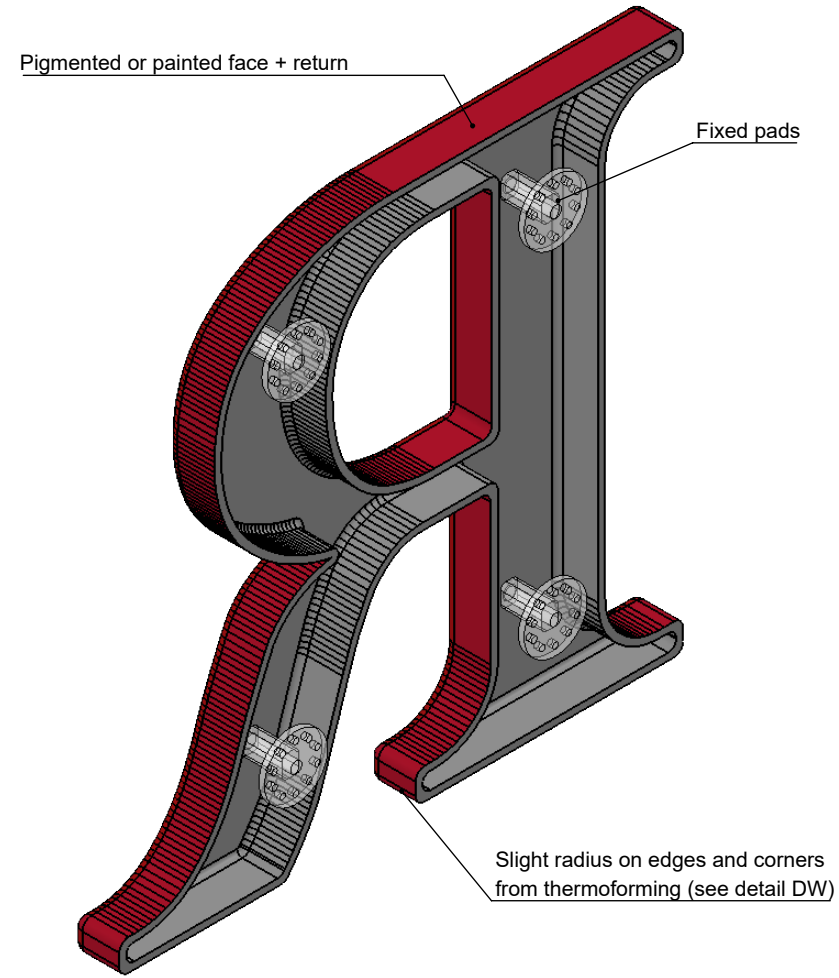


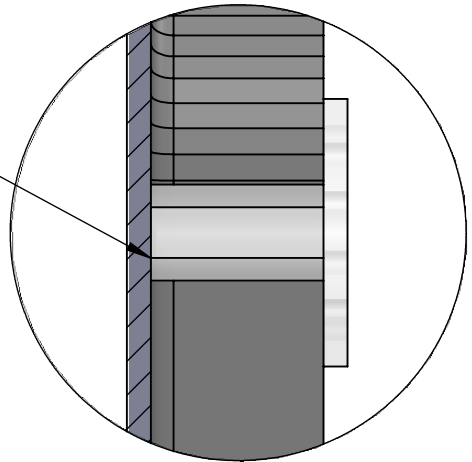
BACK VIEW II SCALE 1:5



SECTION A-A II SCALE 1:5



ISOMETRIC BACK VIEW II SCALE 1 : 3



DETAIL DW SCALE 1 : 1

- NOTES:**
- Min. .75" stroke
 - Depths from 1/4" - 3". Available depth dependent on size of letter/logo.
 - Pigmented CAB or sprayed with Acrylic Polyurethane Paint
 - Standard Gemini letter styles or per vector art
 - Pads available up to 24" high



TITLE: FORMED PLASTIC - PAD MOUNT			
MATERIAL: CAB-PLASTIC		PRODUCT TYPE: FORMED PLASTIC	
DWG NO. FORM60	REV 02/07/2022	SCALE: AS INDICATED	SHEET 1 OF 1