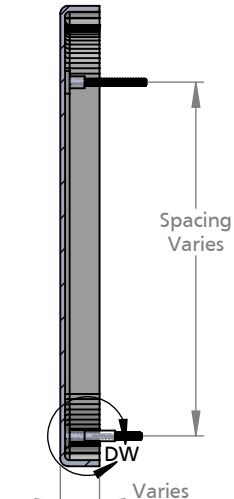


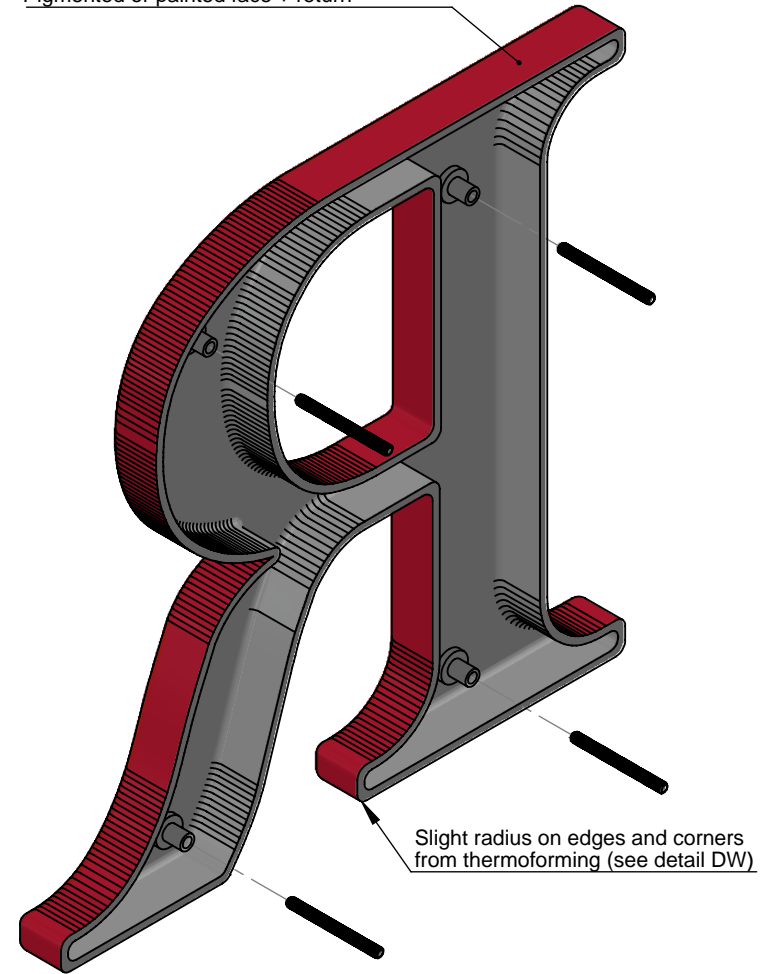


FRONT VIEW II SCALE 1:5



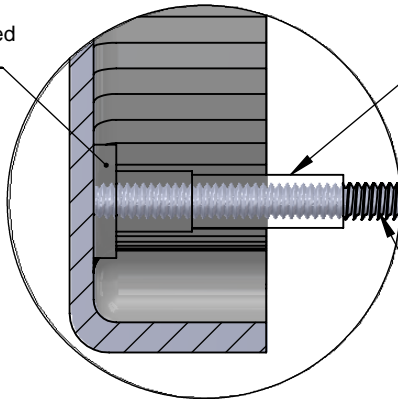
SECTION VIEW A-A II SCALE 1:5

Pigmented or painted face + return



ISOMETRIC BACK VIEW II SCALE 1:3

Plastic Stud Boss solvent bonded to inside of letter (size varies)



DETAIL DW II SCALE 1:1

Optional plastic or metal spacer sleeve (Size varies)

Aluminum 10/24 stud (length varies)

- NOTES:**
- Min. .75" stroke
 - Depths from 1/4" - 3". Available depth dependent on size of letter/logo.
 - Pigmented CAB or sprayed with Acrylic Polyurethane Paint
 - Standard Gemini letter styles or per vector art



TITLE:

FORMED PLASTIC - STUD MOUNT

MATERIAL:

CAB - PLASTIC

PRODUCT TYPE:

FORMED PLASTIC