

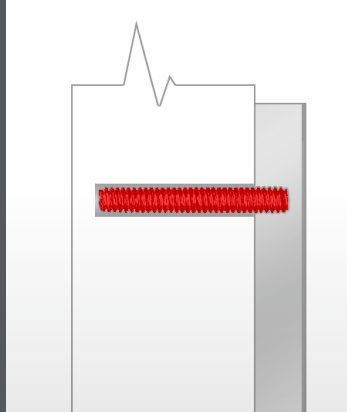
MOUNTING STYLES OVERVIEW / PLAQUES

CAST, PRECISION TOOLED, ETCHED, ENGRAVED, FRAMES & BLANKS

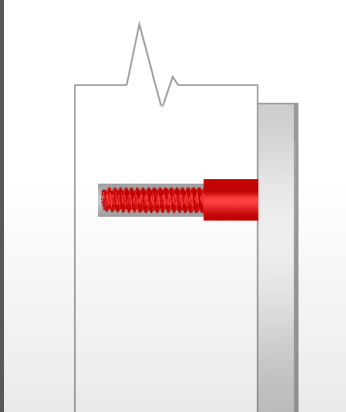


SURFACE MOUNT STYLES

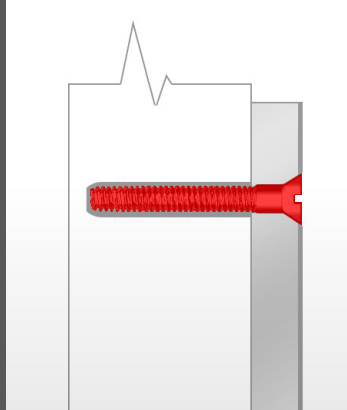
Stud (Blind Mount)



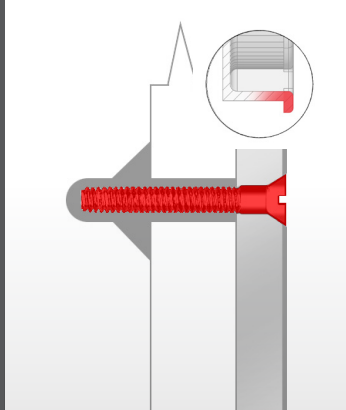
Welded



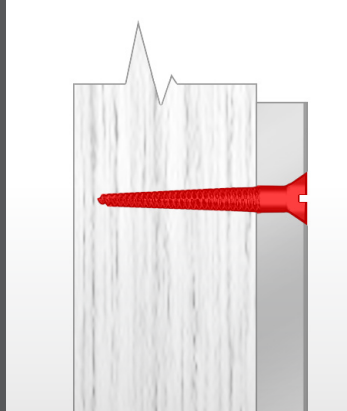
Solid Wall (Through Hole)



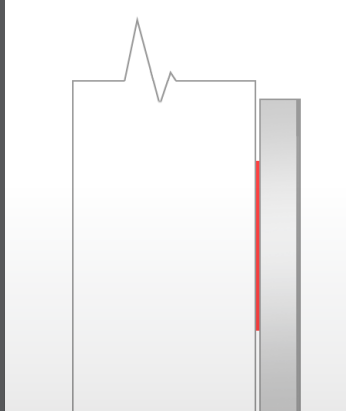
Hollow Wall (Through Hole)



Wood (Through Hole)



Double-Faced Tape



POST MOUNT STYLES

Post Cap



Bracket (Square Post)



Side (Square Post)



Back (Square Post)



STAKE MOUNT

Garden Stake



MOUNTING STYLES OVERVIEW

LETTERS & LOGOS / PLAQUES

MOUNTING STYLES OVERVIEW / LETTERS & LOGOS

FIND YOUR PRODUCT TYPE, CHOOSE YOUR MOUNTING STYLE



PRODUCT TYPE ▼	Stud	Brick/Block	Top	Bottom	Top & Bottom	Rail/Top	Rail/Bottom	Rail/Single	Rail/Double	Bottom Angle Bracket	Welded	Engineered	Detachable	Flush
METAL	1 Cast	■	■	■	■	■	■	■	■	■				
	2 Flat Cut	■	■	■	■	■	■	■	■	■	■			
	3 Fabricated	■	■	■	■		■	■	■	■		■	■	
PLASTIC	4 Formed/Injection	■	■											
	5 Laser Cut	■	■	■	■	■								■
	6 Illuminated	■	■											■
	7 Display	■	■											■

	Plain	Pad	Combination	Flange	Outside Bracket	Double-Faced Tape Mount
	■					
	■ (mini)					
		■	■	■	■	
	■	■	■			■
	■	■	■			■
	■	■	■			■

■ Mounting technical sheets and installation resources available at geminimade.com/signage/resources/

MOUNTING STYLES USING STUDS OR RAILS

Stud (Blind Mount) Works with: 1 2 3 4 5 6 7	Brick / Block Works with: 1 2 3 4 5 6 7	Welded Works with: 2	Flush Works with: 4 5 6 7	Combination (Stud & Pad) Works with: 4 5 6 7 OPTION: All Mount with studs and pads
Top Works with: 1 2 3 5	Bottom Works with: 1 2 3 5	Top & Bottom Works with: 2 5	Engineered Works with: 3	Detachable Works with: 3
Rail / Top Works with: 1 2	Rail / Bottom Works with: 1 2 3	Rail / Single Works with: 1 2 3	Rail / Double Works with: 1 2 3	Bottom Angle Bracket Works with: 1 2

ADDITIONAL STYLES

Plain Works with: 2 3 5 6 7	Pad Works with: 4 5 6 7 Standard bonded (fixed) pads	Double-Faced Tape Works with: 5 7
Formed Flange Works with: 4	Bracket Mount Works with: 4	

Get the whole story on mounting. Talk to Gemini. This chart is a simplified overview of many popular mounting styles from Gemini. But for your challenging applications and technical questions, Gemini Customer Service offers free advice. In addition, production drawings for over 70 different mounting styles, and numerous installation resources, are available at GeminiMade.com/signage/resources/



1-800-538-8377
 In Canada: 1-800-265-0426
GeminiSignage.com

GEMINI INCORPORATED
 103 Mensing Way
 Cannon Falls, MN 55009-1143 USA

©2024 Gemini Inc.

Made True.