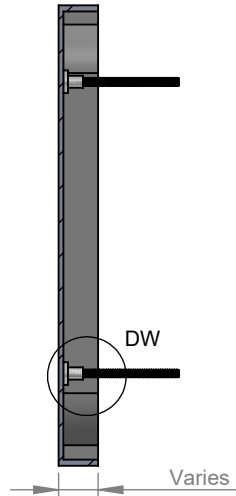
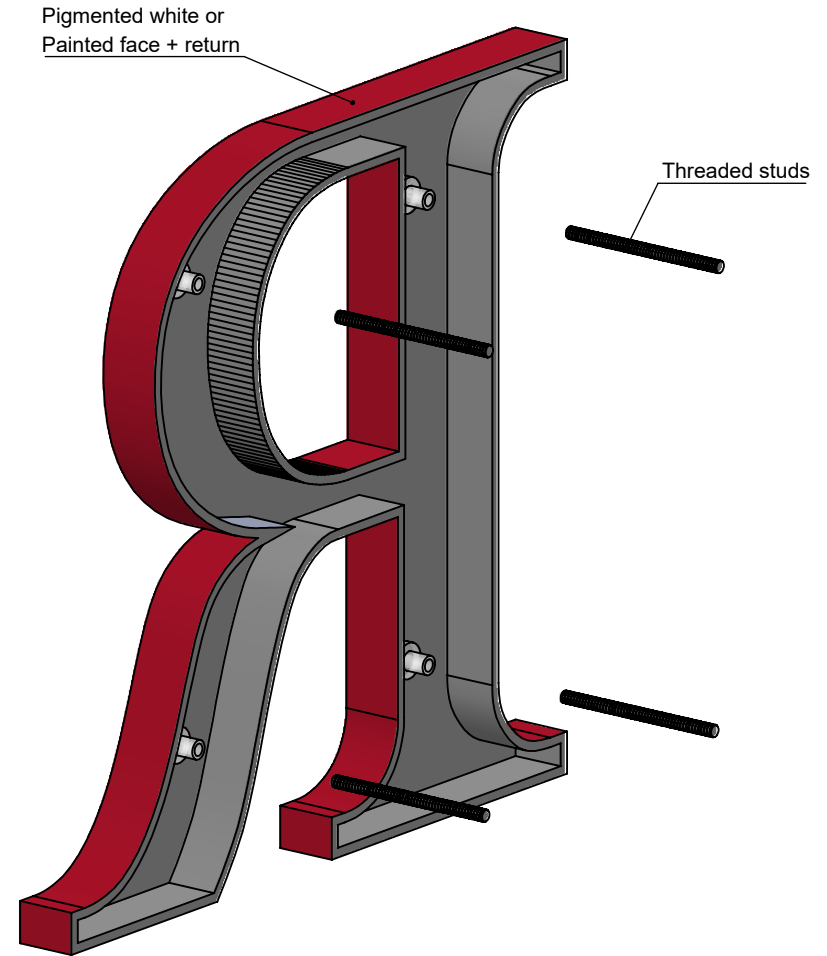


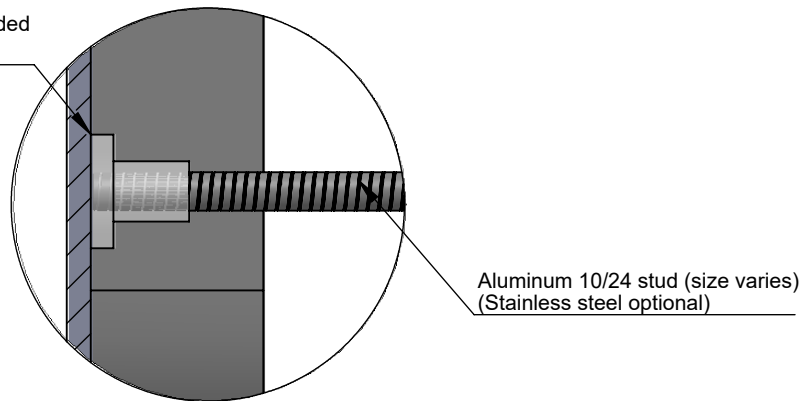
BACK VIEW II SCALE 1:5



SECTION VIEW A-A II SCALE 1:5



ISOMETRIC BACK VIEW II SCALE 1:3



DETAIL DW II SCALE 1:1

**NOTES:**

- White pigmented CAB or sprayed with Acrylic Polyurethane Paint
- Standard fonts only: Architectural, Helvetica, Times Bold



TITLE:

**INJECTION MOLDED - STUD MOUNT**

MATERIAL:

**CAB - PLASTIC**

PRODUCT TYPE:

**INJECTION MOLDED**

DWG NO. MINN10

REV 02/10/2022

SCALE: AS INDICATED

SHEET 1 OF 1