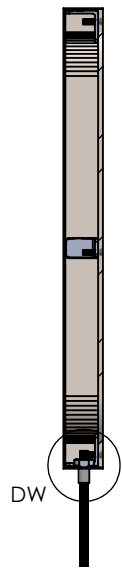
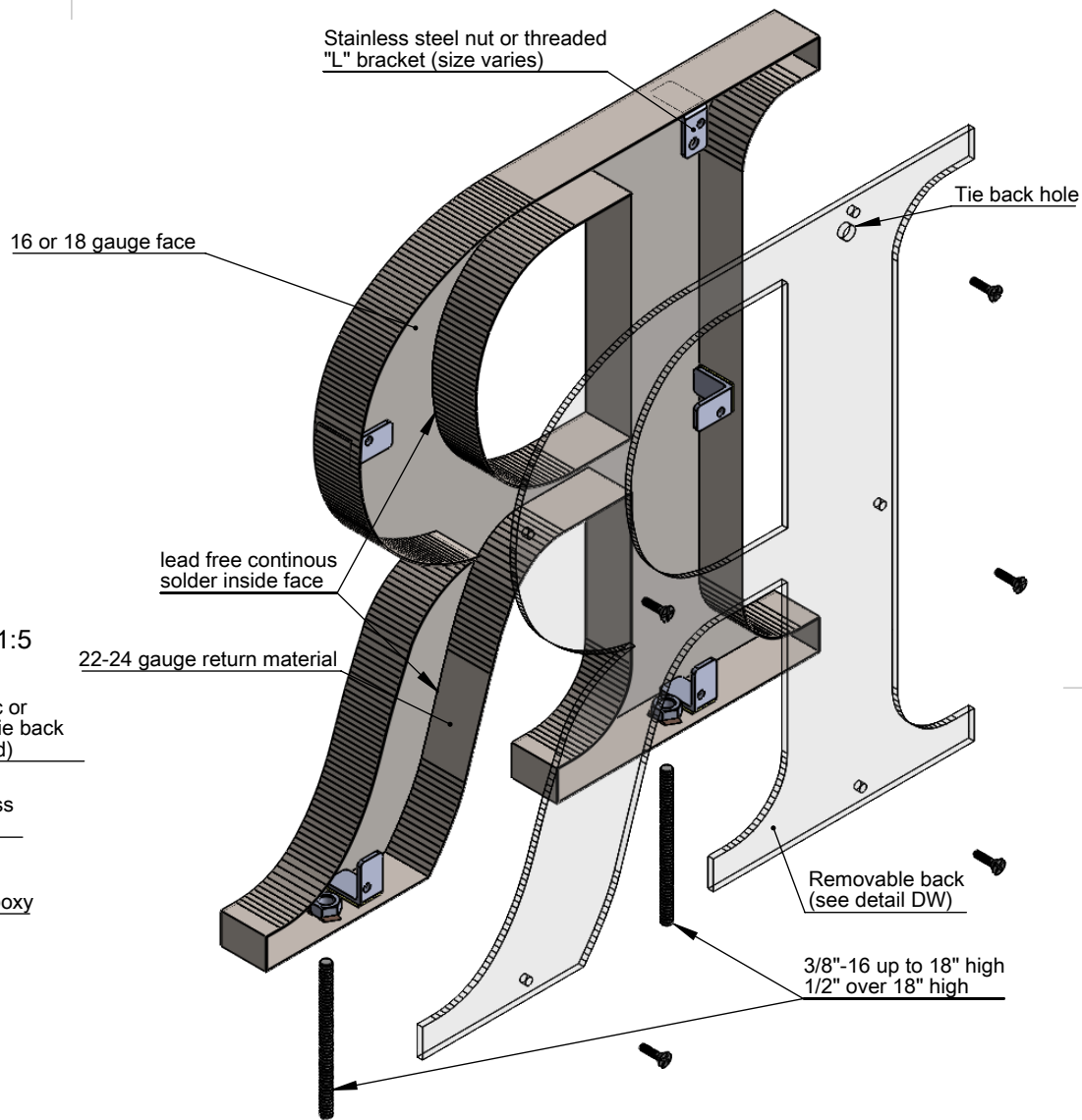


FRONT VIEW II SCALE 1:5



SECTION VIEW A-A II SCALE 1:5



ISOMETRIC BACK VIEW II SCALE 1:3

Stainless steel mounting stud (size varies)

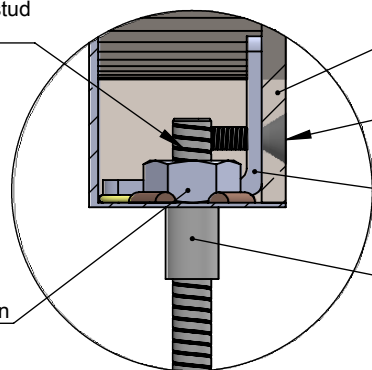
Removable light diffused plastic or stainless steel back. Requires tie back with letters over 8" (not included)

Flush back secured with stainless steel screw w/plastic back

Nut or threaded "L" bracket secured with high resistance epoxy

Optional spacer sleeve (size varies)

Stainless steel Hex nut (size varies) Soldered to inside of return



DETAIL DW II SCALE 1:1

**BACK OPTIONS**

- Light diffused plastic: 0.187" thick
- Stainless steel - same gauge as face

**MATERIAL OPTIONS**

- Standard - 304 prefinished stainless steel
- Optional - 316 prefinished stainless steel (more corrosion resistant)
- 304 prefinished stainless with titanium coating

**Note:**

- Return grain will run around the perimeter of the letter



TITLE: <b>METAL FACE WITH BACK - BOTTOM STUD MOUNT</b>	
MATERIAL: <b>STAINLESS STEEL</b>	PRODUCT TYPE: <b>FABRICATED METAL</b>
DWG NO. FABL60	REV 03/08/2022
SCALE: AS INDICATED	SHEET 1 OF 1