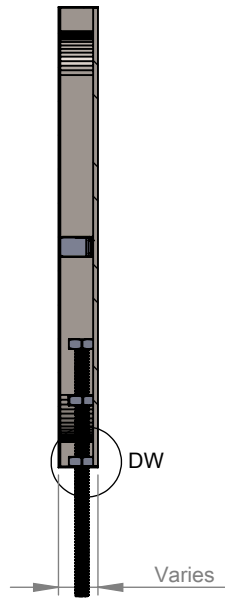
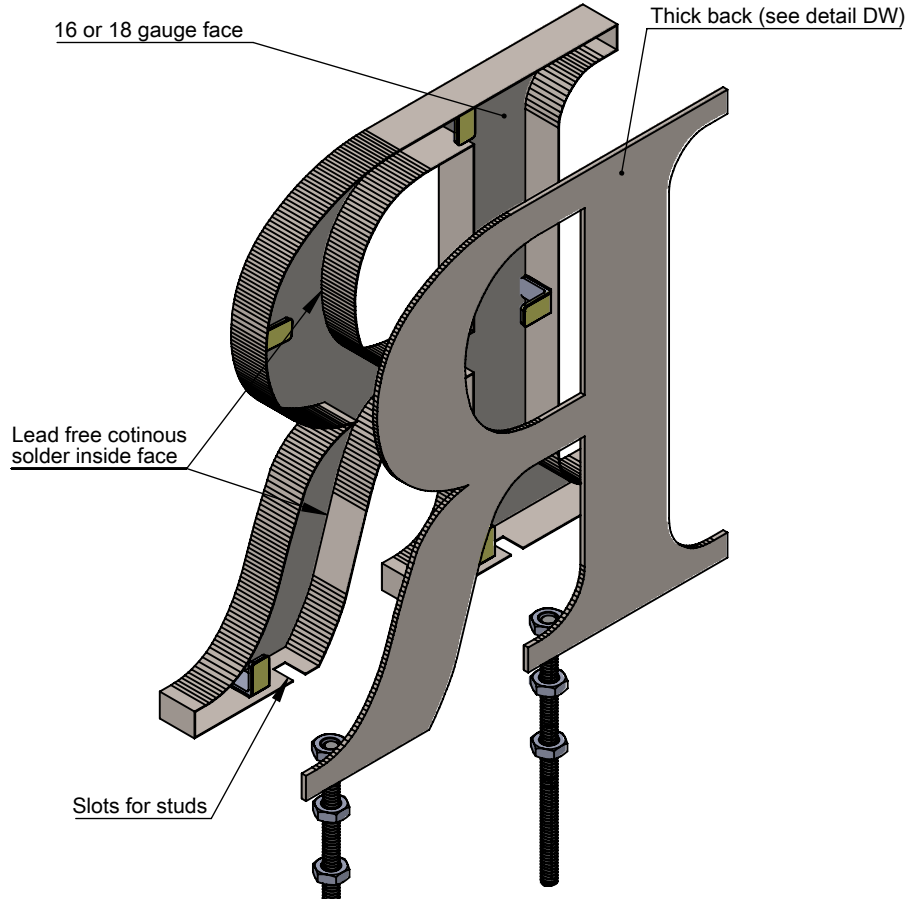


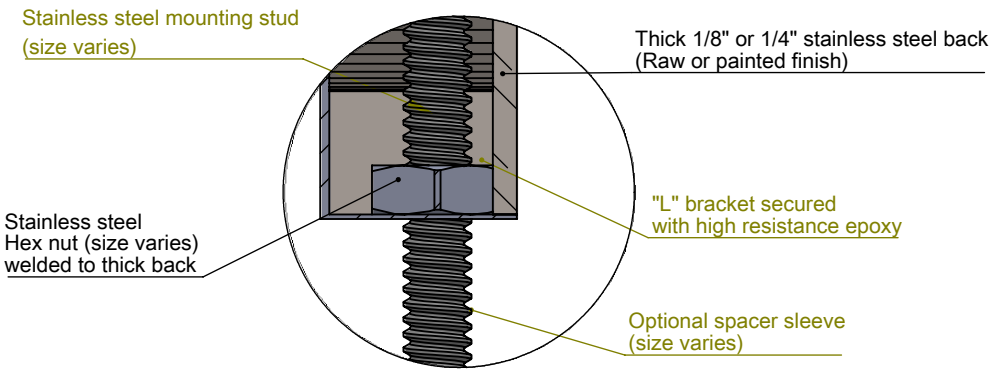
FRONT VIEW II SCALE 1:5



SECTION A-A II SCALE 1:5



ISOMETRIC BACK VIEW II SCALE 1:4



DETAIL DW II SCALE 1 : 1

NOTE:
 - Nuts welded to backs. No tie-backs required.
 - Return grain will run around the perimeter of the letter

STUDS: Up to 18" high 3/8-16 studs - min. 2 per letter
 Over 18" high 1/2" studs - min. 2 per letter

MATERIAL OPTIONS
 Standard - 304 stainless steel - multiple finishes
 Optional - 316 stainless steel (more corrosion resistant) - multiple finishes
 - 304 prefinished stainless with titanium coating

TITLE:
METAL FACE WITH THICK BACK - BOTTOM STUD MOUNT

MATERIAL:
STAINLESS STEEL

PRODUCT TYPE:
FABRICATED METAL