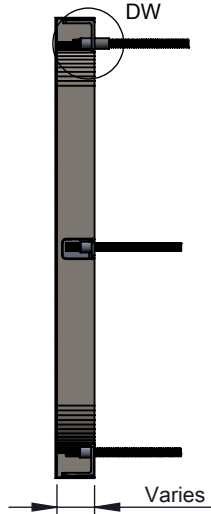
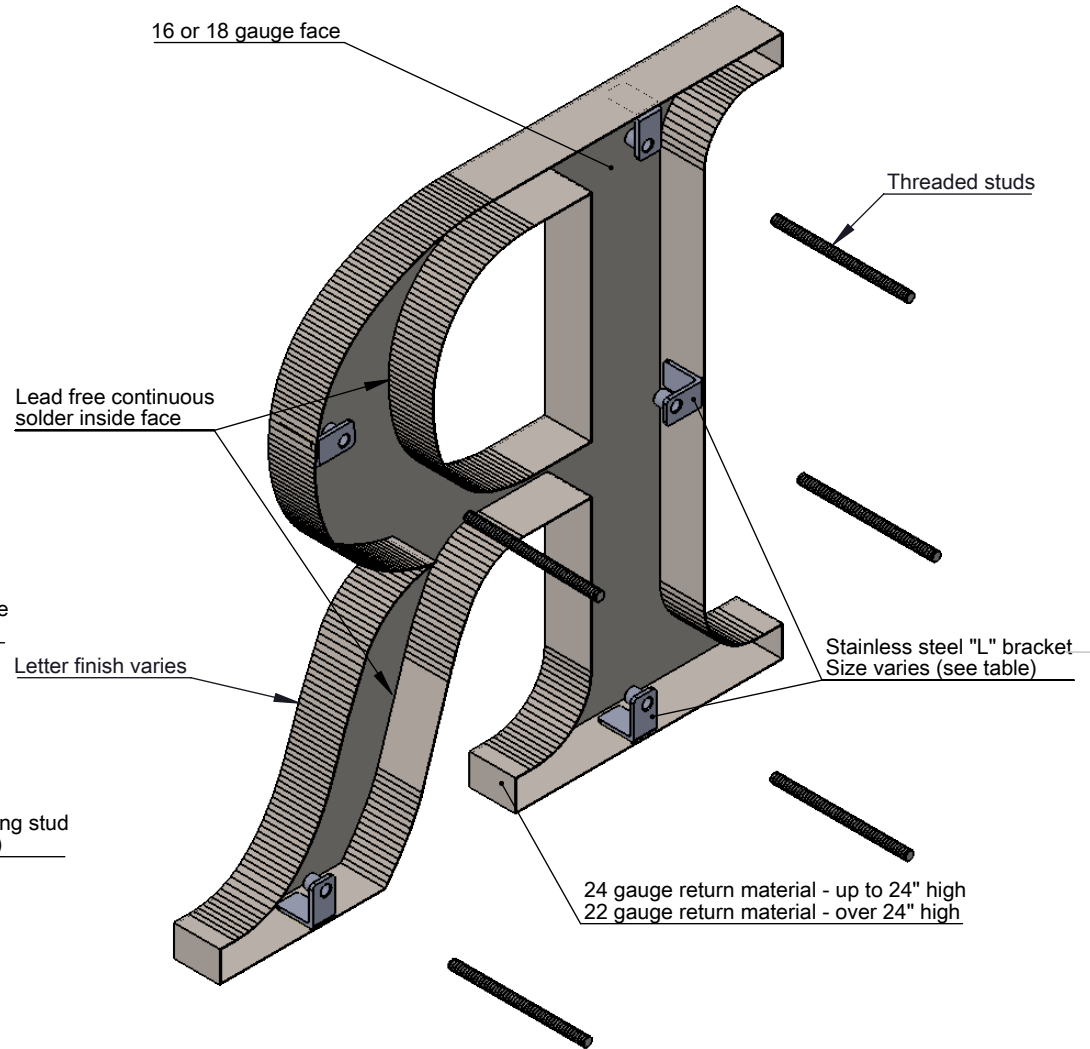




FRONT VIEW II SCALE 1:5



SECTION A-A II SCALE 1:5



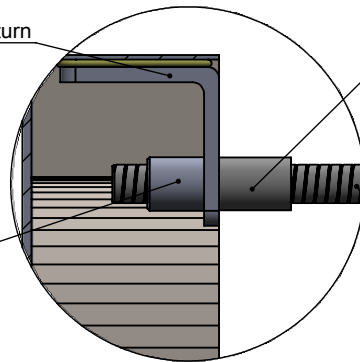
ISOMETRIC BACK VIEW II SCALE 1:3

"L" bracket secured with high resistance epoxy to return

Optional spacer sleeve (Size varies)

Threaded Stud Boss Size varies by bracket

Stainless steel mounting stud Size varies (see table)



DETAIL DW II SCALE 1:1

| LETTER SIZE | MIN. DEPTH AND STROKE | | BRACKET | STUD |
|----------------|-----------------------|---------|---------|----------|
| up to 8" | 0.6" | 15 mm | Small | 6 - 32 |
| over 8" to 24" | 1.0" | 25.4 mm | Medium | 10 - 24 |
| over 24" | 2.0" | 44.5 mm | Large | 1/4 - 20 |

NOTES:
 - Min. 3/8" stroke
 - Return grain will run around the perimeter of the letter

MATERIAL OPTIONS

Standard - 304 prefinished stainless steel
 Optional - 316 prefinished stainless steel (more corrosion resistant)
 - 304 prefinished stainless with titanium coating



| | |
|--|--|
| TITLE: METAL FACE NO BACK - SIDE MOUNT | |
| MATERIAL: STAINLESS STEEL | PRODUCT TYPE: FABRICATED METAL |