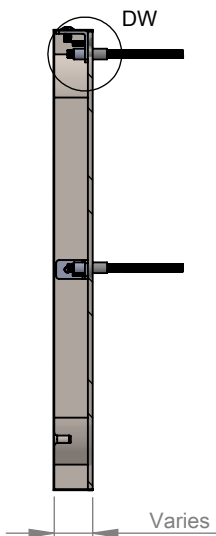
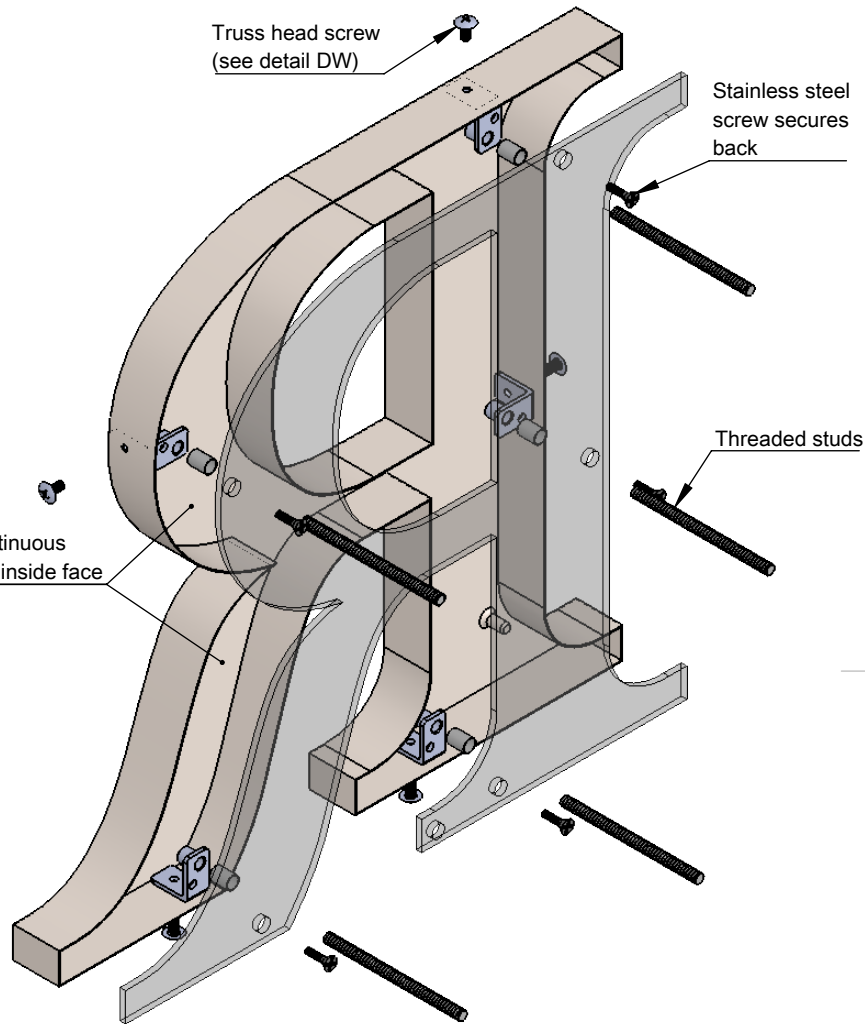


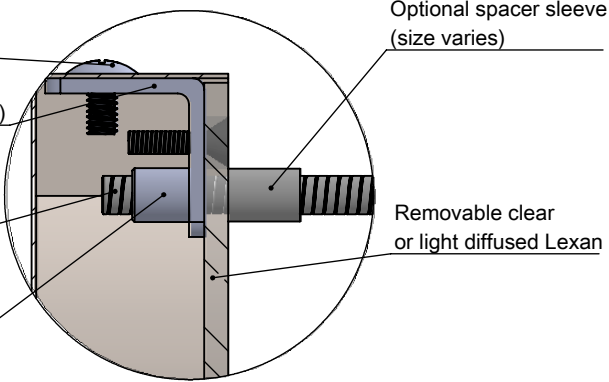
FRONT VIEW II SCALE 1:5



SECTION A-A II SCALE 1:5



ISOMETRIC BACK VIEW II SCALE 1:5



DETAIL DW II SCALE 1 : 1

- Truss head screw secures can
- "L" bracket secured to return w/truss head screw (size varies)
- Stainless steel Mounting Stud Size varies
- Threaded Stud Boss Size varies by bracket

- Optional spacer sleeve (size varies)
- Removable clear or light diffused Lexan

LETTER SIZE	MIN. DEPTH	STUD	BRACKET
6" to 24"	1.0"	10 - 24	Medium
over 24"	1.75"	1/4 - 20	Large

**NOTES:**

- Tie backs required (not supplied) on letters > 8" high
- Return grain will run around the perimeter of the letter

**BACK OPTIONS**

- Clear Lexan: 6-24" high - 0.118 thick, over 24" - 0.236" thick
- Light diffused Lexan: 0.177" thick

**MATERIAL OPTIONS**

- Standard - 304 prefinished stainless steel
- Optional - 316 prefinished stainless steel (more corrosion resistant)
- 304 prefinished stainless with titanium coating



TITLE: <b>METAL FACE - WITH BACK FOR LEDS REMOVABLE CAN MOUNT</b>	
MATERIAL: <b>STAINLESS STEEL</b>	PRODUCT TYPE: <b>FABRICATED METAL</b>