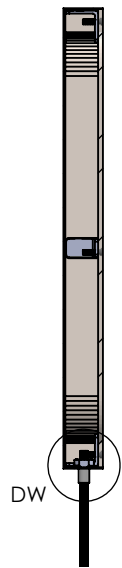
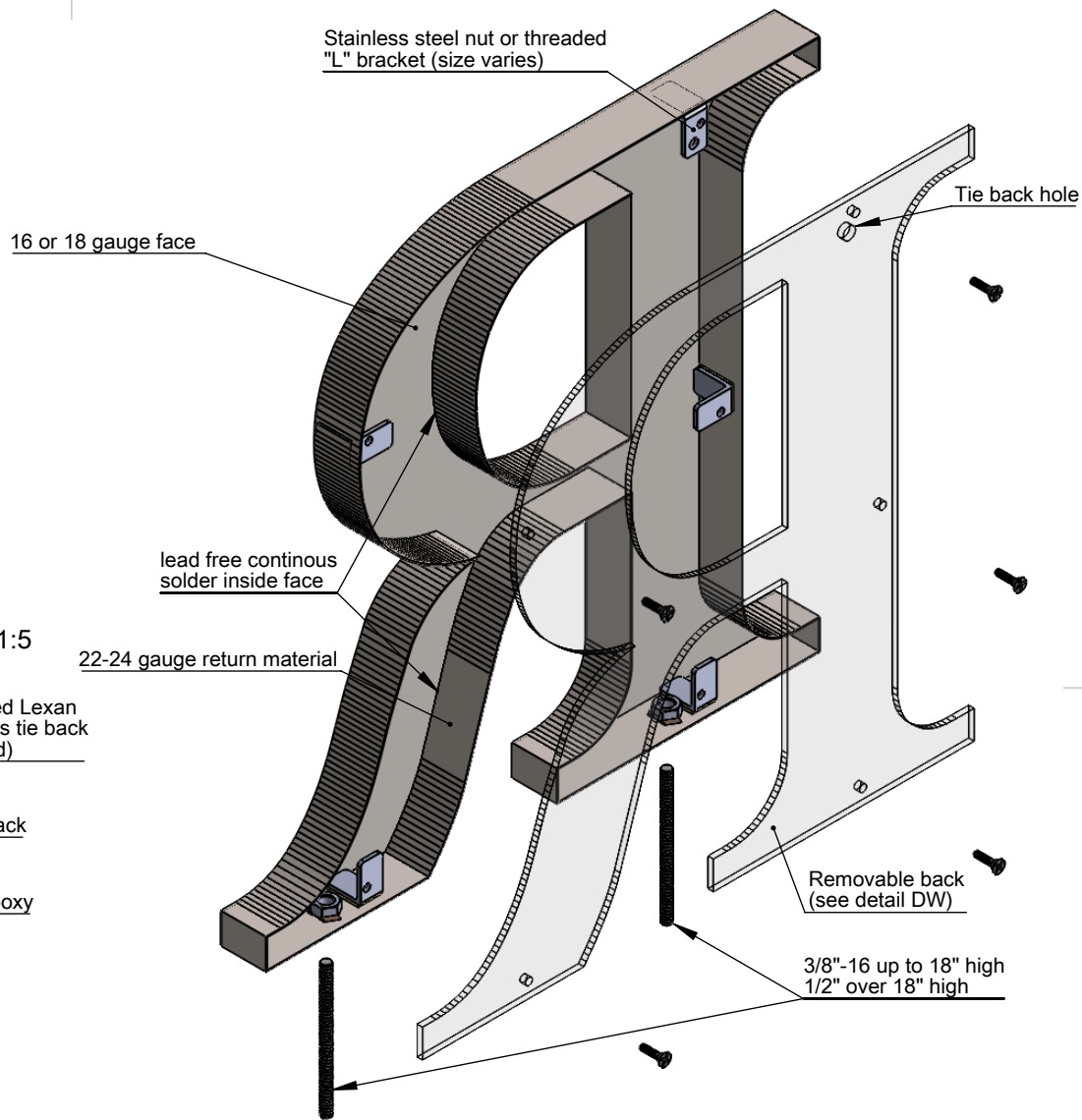


FRONT VIEW II SCALE 1:5

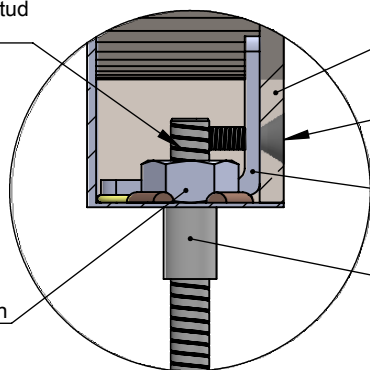


SECTION VIEW A-A II SCALE 1:5



ISOMETRIC BACK VIEW II SCALE 1:3

Stainless steel mounting stud (size varies)



DETAIL DW II SCALE 1:1

Removable clear or light diffused Lexan or stainless steel back. Requires tie back with letters over 8" (not included)

Flush back secured with stainless steel screw w/lexan back

Nut or threaded "L" bracket secured with high resistance epoxy

Optional spacer sleeve (size varies)

Stainless steel Hex nut (size varies) Soldered to inside of return

BACK OPTIONS

- Clear Lexan: 6-12" high - 0.118 thick
- Light diffused Lexan: 0.177" thick
- Stainless steel - same gauge as face

MATERIAL OPTIONS

- Standard - 304 prefinished stainless steel
- Optional - 316 prefinished stainless steel (more corrosion resistant)
- 304 prefinished stainless with titanium coating

Note:

- Return grain will run around the perimeter of the letter



TITLE: METAL FACE WITH BACK - BOTTOM STUD MOUNT

MATERIAL: STAINLESS STEEL

PRODUCT TYPE: FABRICATED METAL