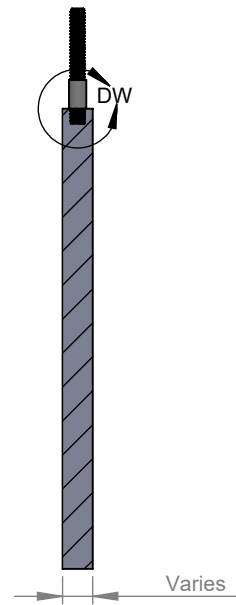
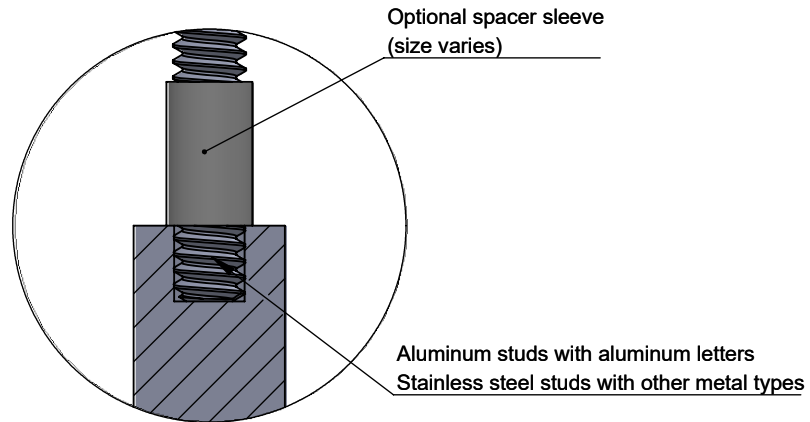


FRONT VIEW II SCALE 1:2.5

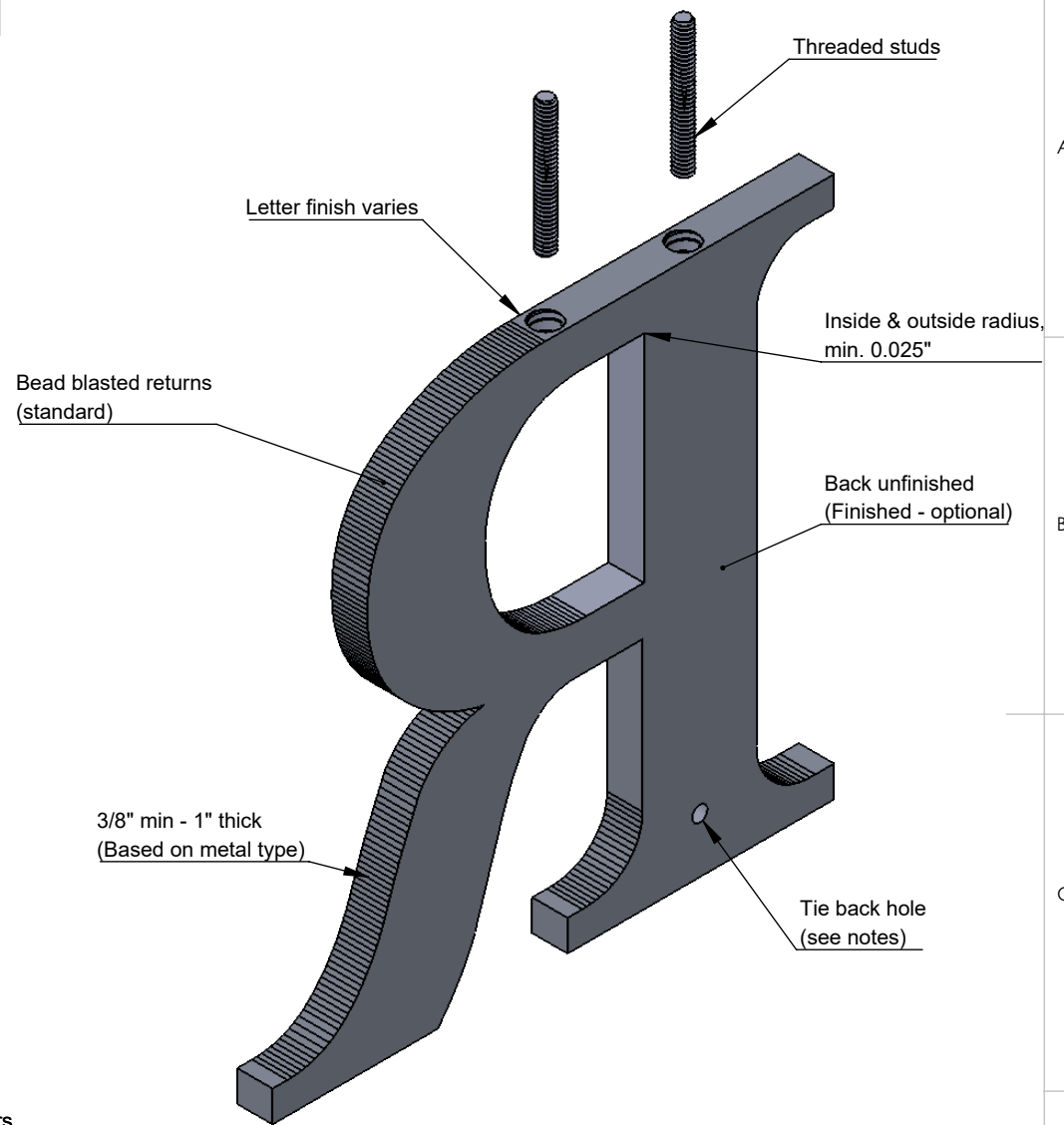


SECTION VIEW A-A II SCALE 1:2.5



DETAIL DW II SCALE 2:1

- NOTES:**
- 4" - 24" high letters
 - Typical stud length 2" beyond top of letter
 - Letters under 8" high, 10/24 studs, 8" high and larger, or 1/2" thick or more, 1/4-20 stainless steel studs
 - Minimum 2 studs per letter, min. 3/8" thick
 - Round letters (O, C, G, Q, S) sanded flat tops - optional
 - Tie back recommended if over 8" high letters (not included)
 - Letters or logos, standard or custom



ISOMETRIC BACK VIEW II SCALE 1:1.5

| | | | |
|--|--------------|--|--------------|
| TITLE: FLAT CUT METAL - TOP STUD MOUNT | | | |
| MATERIAL: METAL | | PRODUCT TYPE: FLAT CUT METAL | |
| DWG NO. FTMT30 | REV 10/25/16 | SCALE: AS INDICATED | SHEET 1 OF 1 |