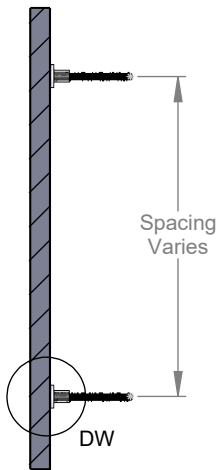
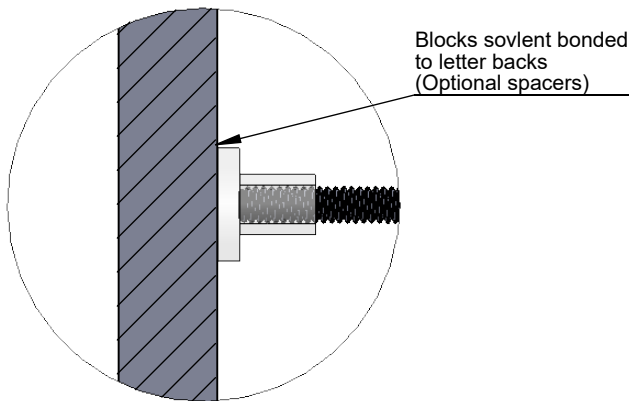


FRONT VIEW II SCALE 1:5

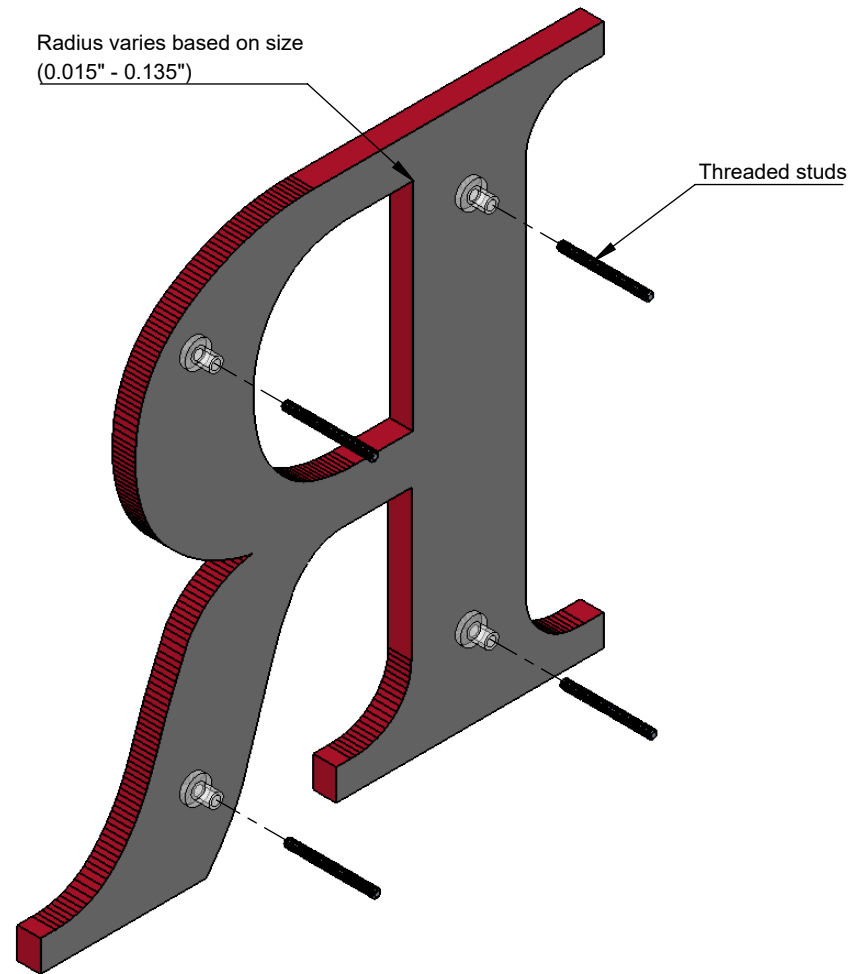


SECTION VIEW A-A II SCALE 1:5



DETAIL DW II SCALE 1:1

Radius varies based on size
(0.015" - 0.135")



ISOMETRIC BACK VIEW II SCALE 1:3

- NOTES:**
- Min. 1/4" stroke
 - Aluminum 10/24 studs standard, 6/32 studs- thin strokes (Stainless steel optional)
 - Optional flush stud with min. 3/8" thick acrylic
 - Available gauges (1/8", 3/16", 1/4", 3/8", 1/2", 3/4", 1", 1 1/2" thick)
 - Pigmented or sprayed with acrylic polyurethane paint



TITLE:

LASER CUT ACRYLIC - STUD MOUNT

MATERIAL:

IMPACT MODIFIED ACRYLIC

PRODUCT TYPE:

PLASTIC LETTERS

DWG NO. LASR10

REV 09/06/15

SCALE: AS INDICATED

SHEET 1 OF 1