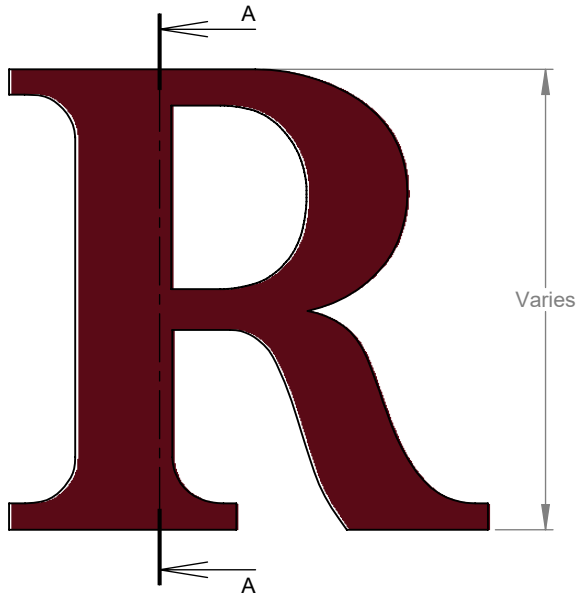
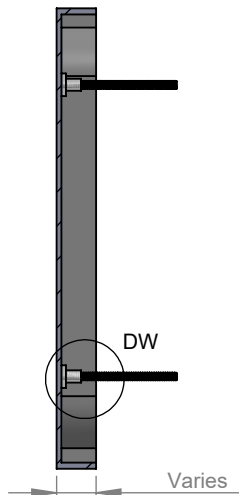


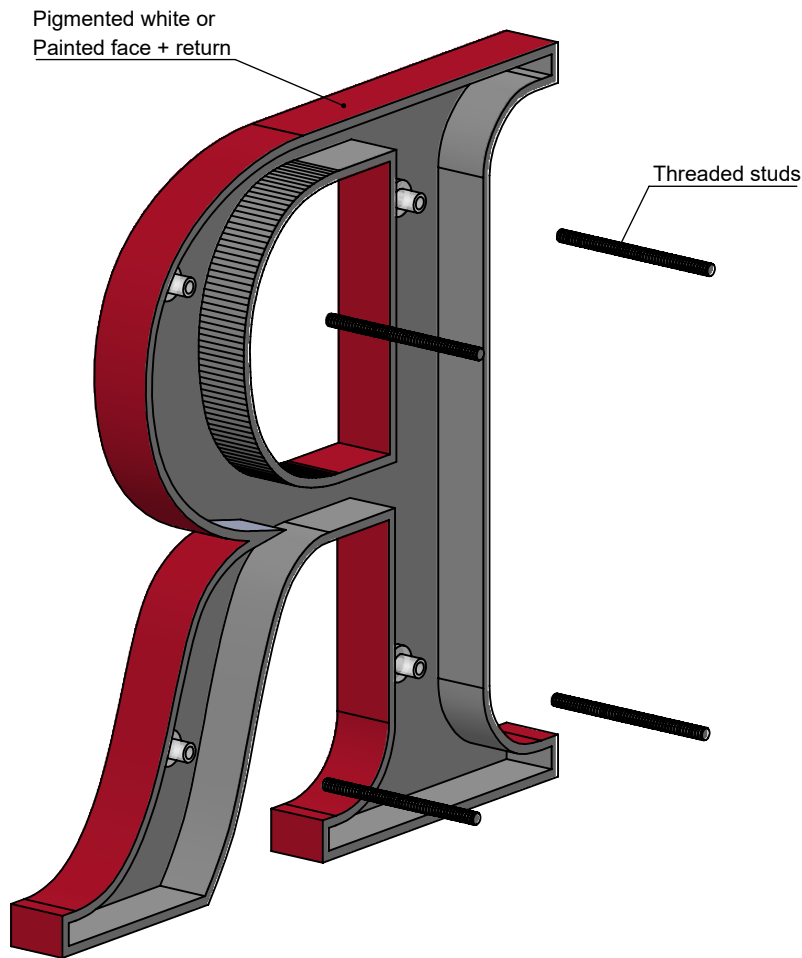
PRODUCT CONSTRUCTION EXAMPLE



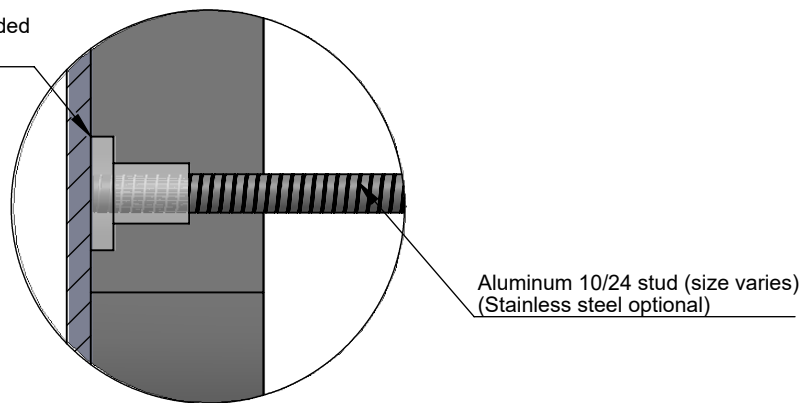
BACK VIEW II SCALE 1:5



SECTION VIEW A-A II SCALE 1:5



ISOMETRIC BACK VIEW II SCALE 1:3



DETAIL DW II SCALE 1:1

**NOTES:**  
 - Typical stud length 2" beyond back of letter  
 - Injection molded with CAB plastic  
**STYLES:**  
 - Architectural, Helvetica, Optima, Roman, Stand Block, Times Bold.



TITLE: <b>MINNESOTA LETTER - STUD MOUNT</b>			
MATERIAL: <b>CAB - PLASTIC</b>		PRODUCT TYPE: <b>INJECTION MOLD</b>	
DWG NO. MINN10	REV 08/24/16	SCALE: AS INDICATED	SHEET 1 OF 1